

母线槽系列

国内专业母线槽制造商



江苏汇友电气有限公司

乘风破浪 世界就在我眼前

■ 2011年荣获“中国驰名商标”称号
■ 2012年荣获“中国名牌”称号
■ 2013年荣获“中国质量万里行”诚信·维权重点保护品牌
■ 2014年荣获“AAA资信企业”称号



企业简介

江苏汇友电气有限公司位于风景秀丽的江南古镇江东南郊的扬子江畔，被国家命名为中国工程电器岛国家级电力电器产业基地的扬中市，常泰高速由泰州长江大桥将京沪高速和沪宁高速在扬中连贯，西靠南京机场，北近江都机场，南接常州机场和上海虹桥机场，交通十分便利。

本公司主要以生产输配电为主的高低压开关柜、配电箱、绝缘封闭母线槽、管形母线、钢制电缆桥架、防火阻燃桥架、不锈钢、铝合金、玻璃钢桥架、网格式电缆桥架等产品。现拥有国内外先进的生产和检测设备。在华东建筑设计院等专家学者的帮助指导下，引进和吸纳国内外的新技术、新成果，实现了建筑、能源和基础设施领域的电气化、智能化的新格局。产品销往全国28个省市和地区，已为全国2000余项著名工程提供了配套服务。产品广泛用于电厂、冶金、化工、建材、电子、水处理、工矿、机场、学校、房地产、市政工程等行业。

公司以先进的管理模式。建立了完善的质量保证体系和科学的管理机制，公司通过了ISO9001:2008质量体系、ISO14001:2004环境管理体系、OHSAS18001:2007职业健康安全管理体系认证和3C认证。获得了第三届中国国际新技术名优产品博览会指定推荐产品、中国技术监督情报协会3.15质量服务无投诉诚信企业、中国质量万里行诚信·维权重点保护品牌、镇江市知名商标，多年来获得了重合同守信用、“AAA资信企业”的称号，公司严格按照ISO9001:2008版标准管理体系，不断以高品质的产品，完善的售后服务赢得国内外用户的信赖。

公司始终坚持“技术创新、质量可靠、坚守承诺、顾客满意”的质量方针与您共谋发展，共创辉煌。



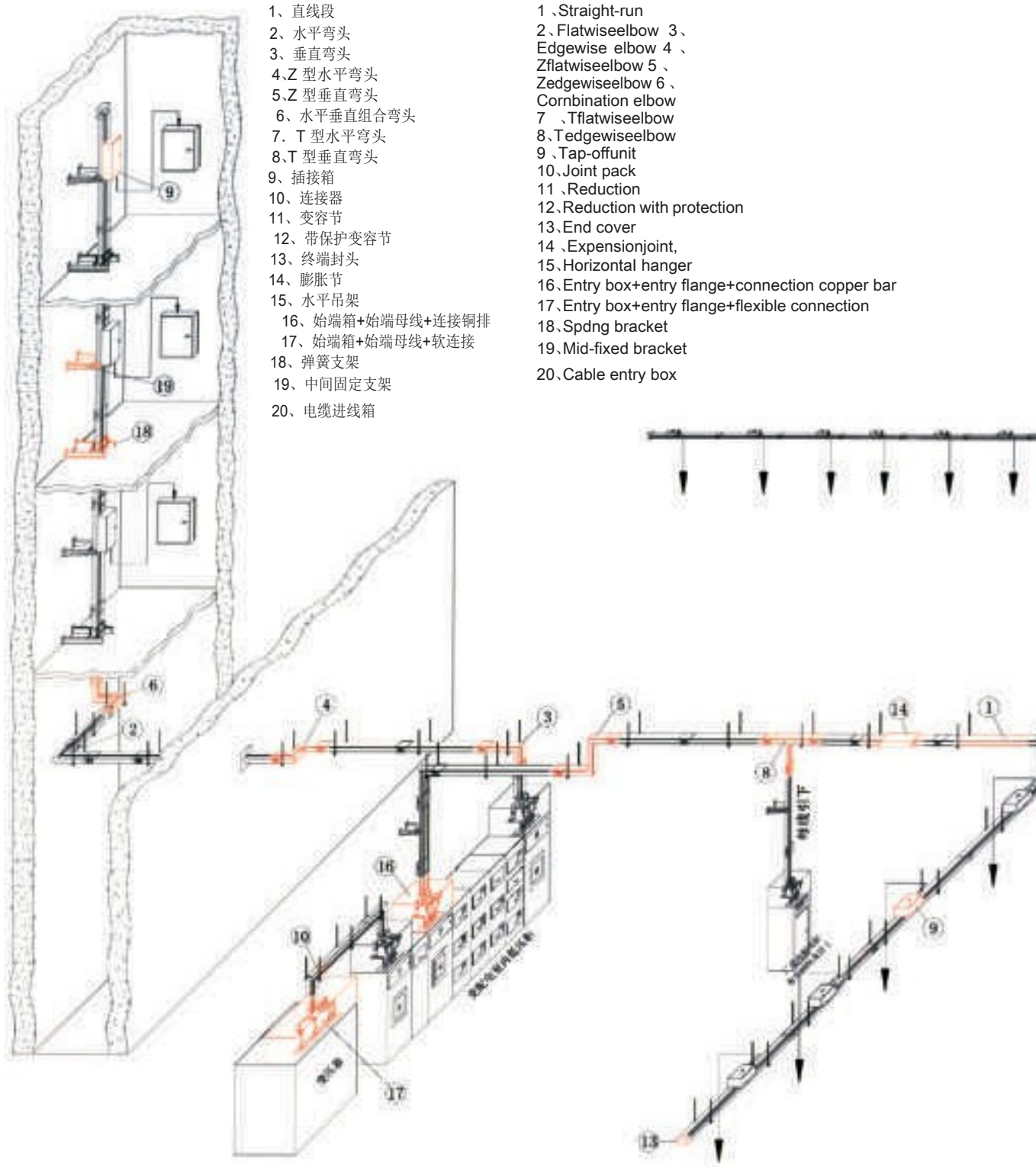
目录

CONTENTS

CFW 母线槽系统简介	01-02
产品特点	03-06
生产设备	07-08
技术参数	09-10
产品编号	11-12
功能单元	13-17
安装方案	18-19
计算与选型	20-21
CFW-KFM 系列空气绝缘母线槽	22-23
CFW-BGFM 系列共箱封闭母线槽	24-25
CFW-NHMC 系列耐火型母线槽	26-27
CFW-CGMC 系列全封闭防水母线槽	28-29
CFW-ZM 系列照明母线槽	30-31
服务体系	32-33
注意事项	34-35

CFW 密集型母线系统

The Compact CFW Busway Trunking System



- 1、直线段
- 2、水平弯头
- 3、垂直弯头
- 4、Z型水平弯头
- 5、Z型垂直弯头
- 6、水平垂直组合弯头
- 7、T型水平弯头
- 8、T型垂直弯头
- 9、插接箱
- 10、连接器
- 11、变容节
- 12、带保护变容节
- 13、终端封头
- 14、膨胀节
- 15、水平吊架
- 16、始端箱+始端母线+连接铜排
- 17、始端箱+始端母线+软连接
- 18、弹簧支架
- 19、中间固定支架
- 20、电缆进线箱

- 1、Straight-run
- 2、Flatwiseelbow
- 3、Edgewise elbow
- 4、Zflatwiseelbow
- 5、Zedgewiseelbow
- 6、Combination elbow
- 7、Tflatwiseelbow
- 8、Tedgewiseelbow
- 9、Tap-offunit
- 10、Joint pack
- 11、Reduction
- 12、Reduction with protection
- 13、End cover
- 14、Expensionjoint,
- 15、Horizontal hanger
- 16、Entry box+entry flange+connection copper bar
- 17、Entry box+entry flange+flexible connection
- 18、Spdng bracket
- 19、Mid-fixed bracket
- 20、Cable entry box

CFW 密集型母线槽是我公司充分吸收国际尖端技术，结合国内用电环境，精心研制出的一款性能优秀、安全可靠、外型美观的新型母线产品。该产品符合GB7251 和IEC61439 标准，额定工作电压1000V， 额定电流400~6300A，插接箱分接电流16~1250A，最高防护等级达IP66，适用于三相三线制、三相四线制、三相五线制等多种供电系统，可广泛应用于大型商业广场、高层建筑、智能化楼宇、体育馆、工业厂房、医院等重要场合，是综合性能最佳的低压母线槽系统。

CFW intensive busbar is I company fully absorb international advanced technology, combined with the domestic electricity environment, and Carefully developed Excellent performance. safe and reliable. beautiful appearance of the new bus products. The product is in line with the GB7251 and IEC60439 standards. the work of the Voltage 1000V, rated current of 400~6300A plug box points connected to the current 16 to 1250A, the highest protection class up to IP66, suitable for three-phase three Wire system. Three-Phase four wire. three-phase five wire System and so on a variety of power supply system. can be widely used in large commercial plaza, high-rise buildings, intelligent buildings, gymnasium, Industrial plant, hospital and other important occasions. is the comprehensive performance of the best low Voltage busbar system .



产品特点

Product features

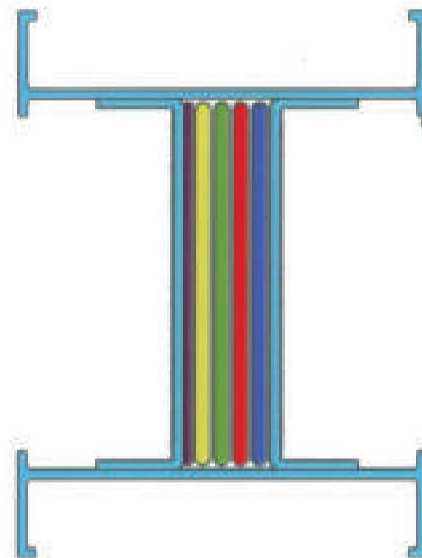
主体结构

- 1、全长密封。
- 2、阻抗低，线路损耗小。
- 3、体积小，占用建筑物空间小。
- 4、散热能力强，温升高，使用寿命长。
- 5、传导式散热，载流能力不受安装方位影响。
- 6、无中空结构，不会形成”烟囱效应”。
- 7、接头处和插口处均有防错相功能。
- 8、确保安装时相序无误。
- 9、整体自动化铆接。
- 10、效率高，供货周期短。
- 11、加工稳定，质量一致性好。
- 12、外壳电气连续性更好。
- 13、各种转向单元。
- 14、线路布置能够适应各种现场环境。



Main structure

- 1, full seal .
- 2, low impedance, low line loss .
- 3, small size, small space occupancy .
- 4, heat dissipation, low temperature rise, long service life .
- 5, conduction type heat dissipation, carrying capacity is not affected by the installation position .
- 6, no hollow structure, will not form a chimney effect .
- 7, joint and Jack have error prevention function .
- 8, to ensure the correct sequence of installation .
- 9, the overall automatic riveting .
- 10, high efficiency, short supply cycle .
- 11, processing stability, good quality .
- 12, electrical continuity of the shell is better .
- 13, various steering units .
- 14, line layout can adapt to a variety of field environment .



产品特点

Product features

外壳——铝镁合金

- 1.CFW 母线采用一次性挤压成型的铝镁合金型材作为外壳；
2. 具有较高的机械强度，较强的动稳定能力；
3. 重量轻，方便安装；
4. 散热快，是钢制外壳导热能力的三倍；
5. 弱磁材料，有效避免涡流和磁滞损耗对母线槽系统造成的影响；
6. 耐腐蚀能力强，即使涂层被破坏，仍具有较强的防腐能力。

Aluminum alloy enclosure

- 1.CFW system adopts alloy profiles as the enclosure .
- 2.Enjoy high mechanical strength, strong dynamic stability .
- 3.Light, convenient for installation .
4. Heat dissipation 3 times than that of the steel .
5. Low magnetic, effectively avoid the eddy current and hysteresis losses on the impact of the bus duct system.
- 6.Nice corrosion resistant capability. still remains strong anti-corrosion even if the layer is scratched .



导体——矩形铜排或合金排

- 1.CFW 母线导体为纯铜导体，进口电解铜国内压制成型，纯度高达99.95%以上，可根据客户要求全长镀锡或镀银处理；
- 2.CFW 线导体为合金导体，以高纯度电工用铝排为主体，对其表层进行特殊处理后达到单纯铝排无法比拟的导电性能。

Conductor-copper or aluminum bar

- 1.CFW-I bus conductor for copper conductors, imports of electrolytic copper in The drawing forming, with purity higher than 99.95%, the root According to customer requirements for full length tin plating or silver plating;
- 2.CFW-I bus conductor for alloy conductor, high purity electrician Aluminum is the main body, the surface of the special treatment to achieve a single The electric conductivity of pure aluminum .



产品特点

Product features

绝缘材料

母线槽的绝缘材料采用优质的聚脂薄膜，双层包裹，相与相之间多达六层，确保绝缘的可靠性。

该材料绝缘耐热等级为B级，单层耐压可达10000V以上，是国际IEC协会推荐使用的专业电气绝缘材料，无任何毒性，在高温状态下也不会产生有损于生物健康的物质。

Insulating materials

The insulating materials produced by excellent used for Busbar are polyester films double wrapped, up to six layers between phase, ensuring the reliability of insulation.

The insulation and heat-resisting class of this material is B-class, withstand voltage of single layer is up to over 10000V. Toxic-free, no substance harmful to biological health produced under high temperature, so it is also a professional electrical insulation material recommended by IEC International Association.

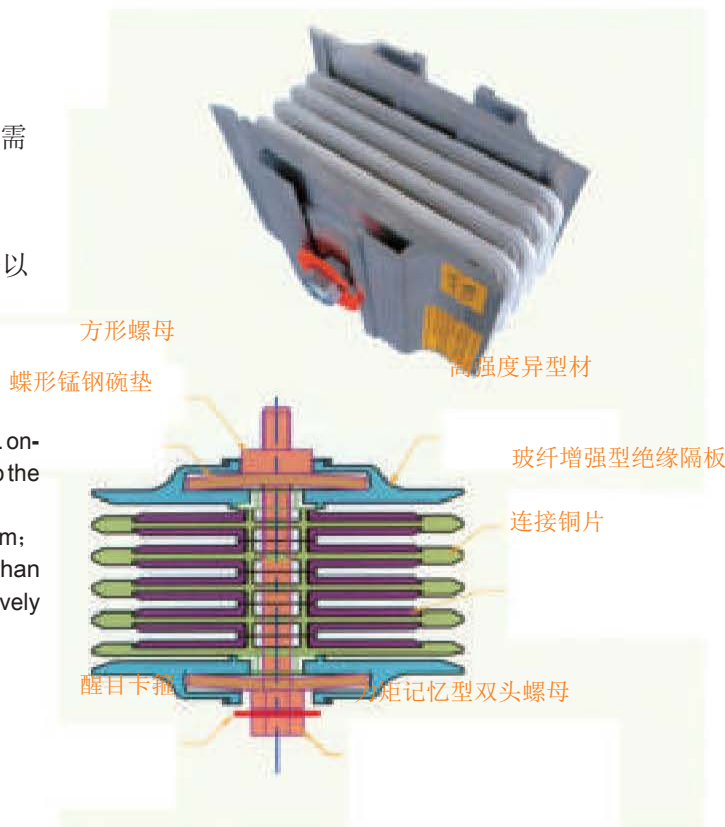


连接器——快速稳定

1. 采用双头力矩记忆螺栓，使得安装快速且稳定，只需19mm普通扳手即可完成安装并且能可靠达到预定力矩；
2. 采用特制蝶形弹簧，确保压力均衡持久；
3. 连接器内部导体截面是母线本体母排截面的1.2倍以上，同时接触面为双面搭接，有效降低了接触电阻。

Joint pack-fast and stable

1. The double bolt torque memory makes installation fast and stable. only 19mm ordinary wrench can complete the installation and reach to the expected torque;
2. The special butterfly spring ensure long lasting pressure equilibrium;
3. Joint pack internal conductor cross section is 1.2 times more than trunking busbar section and the double face connection can effectively reduce the contact resistance.



产品特点

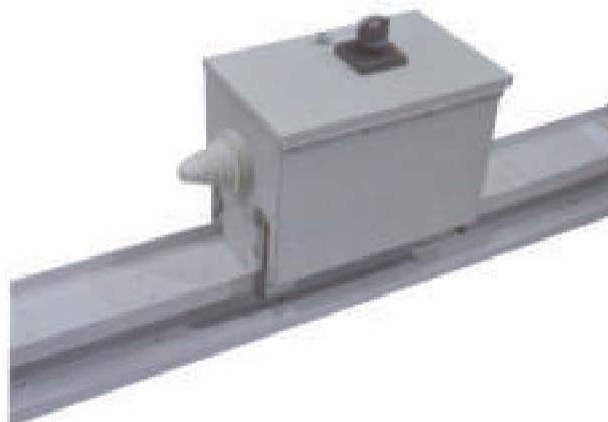
Product features

分接单元——安全可靠

1. 插脚采用更加稳固的T型结构，辅以高弹性锰钢片，可反复插拔200次以上不变形；
2. 插脚整体镀银处理，有效降低接触电阻；
3. 安全联锁机构可以确保插接箱未安装到位的情况下无法合闸，且在未分闸的情况下无法打开门板。

Tap-off unit-safe and reliable

1. The pins used more solid T structure, with high elastic manganese steel piece, can be inserted more than 200 times-repeatedly deformation;
2. Pin the whole silver plating processing, effectively reduce the contact resistance;
3. Safety interlock device can ensure the plug box cannot be closing under the condition of not installed in place, and in the case of not break-brake couldn't open the door.

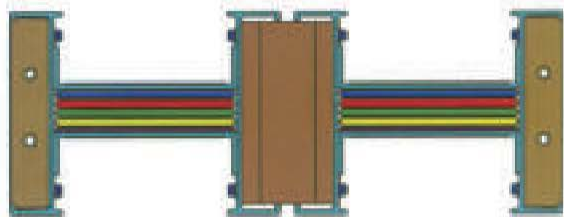
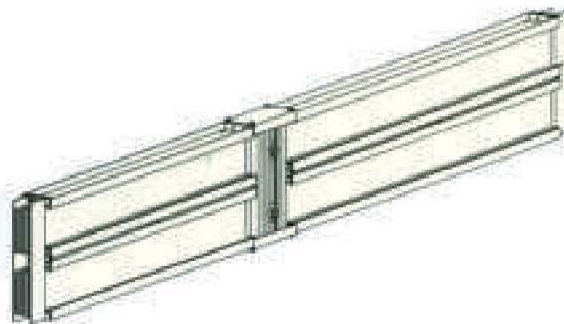


大电流母线——双层结构

1. 有4件“H”型材组成，机械强度明显提高，挠度减少；
2. 散热表面积大幅增加，明显改善母线的散热条件，有效降低系统温升；
3. 外壳整体接地截面更大，更加安全可靠。

Heavy current busbar, double-bar structure

1. There are 4 pieces of "H" shaped, obviously improve the mechanical strength, deflection decrease;
2. The radiating surface area is increased, obviously improve the bus of the cooling conditions, effectively reduce the system temperature rise;
3. Shell overall earthing section is larger and more safety and reliable.



生产设备

Production equipment

CFW 母线采用德国BOLLHOFF 自动铆接装配线完成一体化组装，有效保证了加工质量的稳定性和一致性，同时使其整体强度和电气连续性得到大大提升，其高效不间断的生产能力，也有效保证了供货周期。

CFW bus using German BOLLHOFF automatic riveting assembly line to complete the integration of assembly, effectively ensure the stability and consistency of the processing quality. while the overall strength and electrical continuity has been greatly improved. In addition, its efficient and uninterrupted production capacity, but also to ensure the delivery cycle .



生产设备

Production equipment



母线自动检测仪

我公司全面贯彻母线生产统一的“质量缺陷零容忍”战略，采用先进的母线自动化检测仪保证出产母线百分之百检测，检测内容涉及到影响母线性能的关键参数，如：绝缘电阻测试、工频耐压测试、接地电阻测试等。

Busbar automatic detector

I company bus fully implement the "zero defect quality tolerance strategy of bus production unified. ensure the production bus 100% detection by using advanced bus automatic detection instrument. testing content relates to key Parameters affecting bus performance, such as: insulation resistance test, Power frequency resistant pressure test and grounding resistance test .



技术参数

Technical data

基本参数 Basic data

执行标准/Standard	IEC/EN61439-6, GB7251.6-2015
证书/Certificate	CCC
系统/System	三相三线, 三相四线, 三相五线/3P3W, 3P4W, 3P5W
环境温度/Ambient temperature	不超过+40°C, 24小时内平均不超过+35°C
防护等级/IP rating	IP54/P66
安装方式/Mounting position	水平安装/垂直安装Horizontal/vertical
导体材料/Conductor	铜排镀锡(或银), 铝排特殊表面处理 Copper bar with tin(or silver)plated, Al bar with special surface treatment
额定绝缘电压 U_i AC(V)	1000
额定工作电压 U_e AC(V)	380-1000
额定频率f(Hz)/Rated frequency	50/60
母线电流(A)/Rated current	JFYM:400~6300 JFYMX:400~4000
插接箱电流(A)/Plug-in Box current	16A~1250A
电压类别/污染等级 Voltage rank/Pollution degme	III/3

短路强度 Short-circuit ratings

额定电流 (A)	额定短时 耐受电流 I_{cw} (KA)	额定峰值 耐受电流 I_{pk} (KA)
400 500 630 800	30	63
1000 1250 1400 1600 2000 2300	65	143
2500 2800 3200 3600 4000 4500 5000 6300	120	264

铜导体

额定电流 (A)	额定短时 耐受电流 I_{cw} (KA)	额定峰值 耐受电流 I_{pk} (KA)
400 630 800	30	63
1000 1250	50	105
1600 2000 2500	65	143
3200 3600 4000	100	220

合金导体

技术参数

Technical data

电气参数 Electric data

CFW 铜母线系统 (50HZ, 温度 20°C)

Copper busbar(50HZ, ambient temperature 20°C)

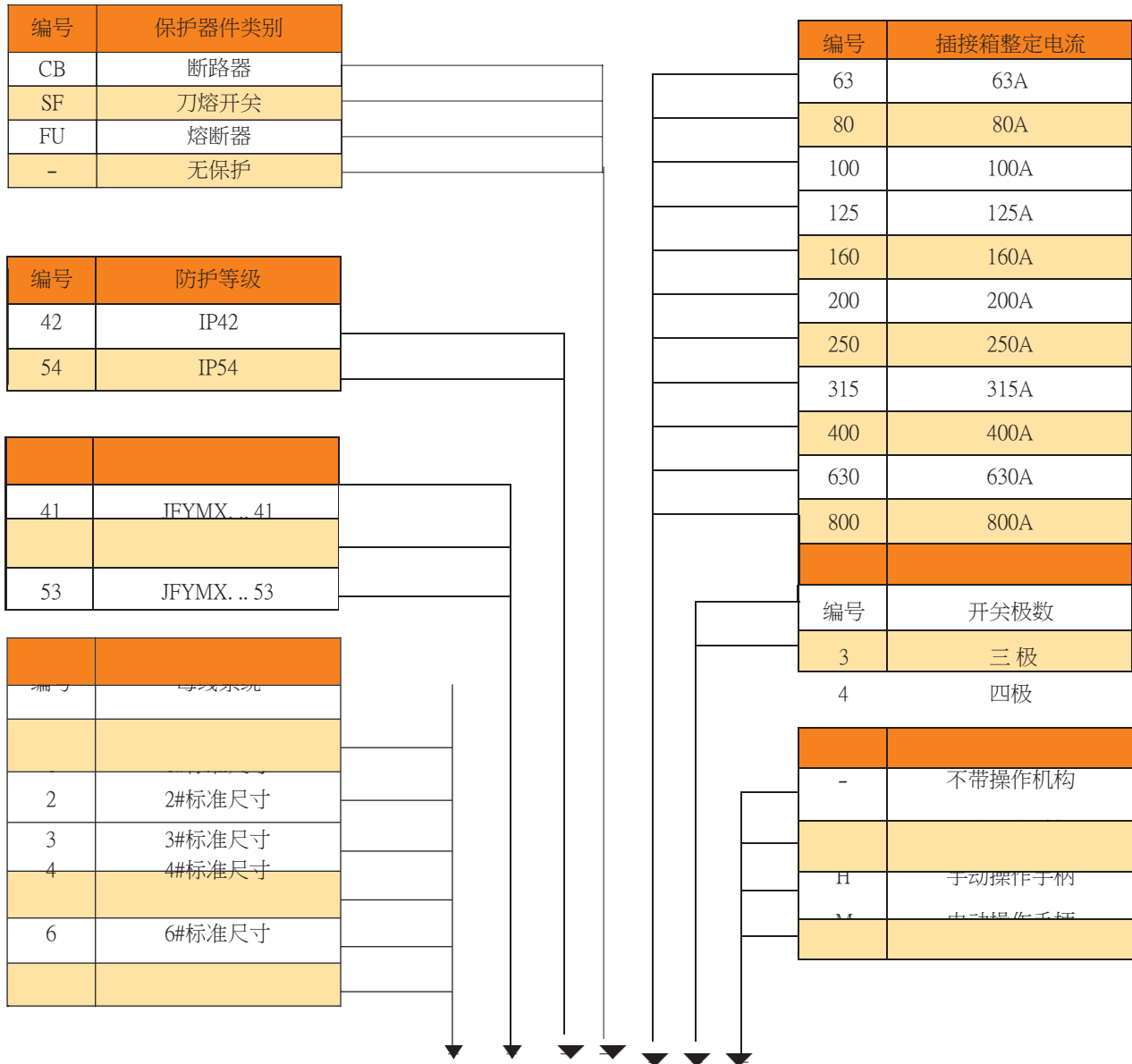
额定电流 Ie(A)	电阻/米 R(mΩ)	电抗/米 X(mΩ)	阻抗/米 Z(mΩ)	每米电压降 $\Delta V(V/m)$ ($\cos\phi=0.8$)	外形尺寸(mm)		每米重量(kg/m)	
					宽度(W)	高度(H)	41/51 系统	53 系统
400	0.131	0.036	0.136	0.087	136	112	9.5	10.2
500	0.114	0.033	0.119	0.098	136	112	10.2	11.5
630	0.098	0.031	0.102	0.105	136	112	11.6	12.4
800	0.078	0.027	0.082	0.108	136	112	13.8	15.1
1000	0.059	0.023	0.063	0.105	136	127	16.7	18.4
1250	0.045	0.017	0.049	0.102	136	147	21.2	23.4
1400	0.040	0.017	0.041	0.098	136	162	24.8	27.1
1600	0.031	0.015	0.034	0.093	136	182	27.8	30.6
2000	0.024	0.013	0.027	0.094	136	217	34.1	38.5
2300	0.021	0.011	0.024	0.091	136	247	40.3	45.8
2500	0.018	0.010	0.020	0.088	136	272	46.2	52.8
2800	0.017	0.008	0.019	0.093	136	292	51.3	57.7
3200	0.016	0.006	0.017	0.10	136	374	56.6	63.0
3600	0.014	0.004	0.015	0.098	136	414	65.3	72.1
4000	0.012	0.003	0.013	0.096	136	444	70.7	78.9
4500	0.011	0.003	0.012	0.091	136	504	82.5	91.8
5000	0.009	0.002	0.009	0.083	136	554	94.2	103.2
6300	0.007	0.001	0.007	0.074	136	746	118.5	127.3

CFW 铜母线系统 (50HZ, 温度20°C)

Copper busbar(50HZ, ambient temperature 20°C)

额定电流 Ie(A)	电阻/米 R(mΩ)	电抗/米 X(mΩ)	阻抗/米 Z(mΩ)	每米电压降 $\Delta V(V/m)$ ($\cos\phi=0.8$)	外形尺寸(mm)		每米重量(kg/m)	
					宽度(W)	高度(H)	四线制	五线制
400	0.133	0.027	0.136	0.085	136	111	8.1	8.9
630	0.105	0.023	0.108	0.106	136	126	9.0	10.1
800	0.086	0.021	0.089	0.109	136	146	10.4	11.5
1000	0.065	0.018	0.067	0.108	136	161	11.8	12.7
1250	0.047	0.014	0.049	0.099	136	191	14.2	15.6
1600	0.032	0.011	0.034	0.089	136	246	18.5	19.9
2000	0.029	0.009	0.030	0.099	136	292	21.7	23.1
2500	0.023	0.007	0.024	0.097	136	392	26.8	28.7
3200	0.016	0.004	0.017	0.084	136	502	34.9	38.2
3600	0.014	0.003	0.015	0.083	136	554	38.1	42.9
4000	0.013	0.003	0.014	0.084	136	592	41.1	44.5

CFW 插接箱 CFW off unit



CFW□T□ □/□ □-□-□

举例说明：CFW3T5354/CB200-3-H

表示：该插接箱采用为3#标准尺寸的箱体，母线系统为53，插接箱防护等级为IP54，箱内安装3级，额定电流为200A带旋转操作手柄的断路器。

For example: CFW3T5354/CB200-3-H

Said:withtheconnectionboxfor3#standardsizeboxbody,busbarsystemis53,the inserting box protection class is IP54,box installation level 3, rated current of 200a with rotary operating handle of the circuit breaker.

功能单元

Fittings

直线段母线槽

Straight-run

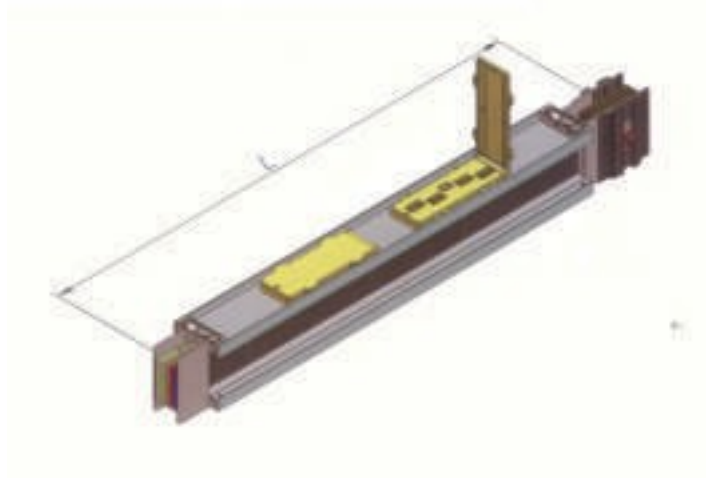


标准长度 Standard length	
CFW-04~63	L=1~3m
可选长度 Optional length	
CFW-04~63	L=0.39~4m

标准长度 Standard length	
CFW-04~40	L=1~3m
可选长度 Optional length	
CFW-04~40	L=0.39~4.5m

带插口直线段

Straight-run with plug-in

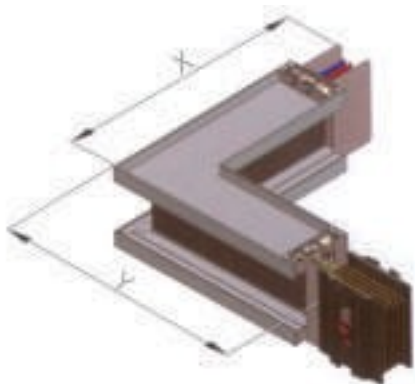


标准长度 Standard length	
CFW-04~63	L=1~3m
可选长度 Optional length	
CFW-04~63	L=0.7~4m

标准长度 Standard length	
CFW-04~40	L=1~3m
可选长度 Optional length	
CFW-04~40	L=0.7~4.5m

水平弯头

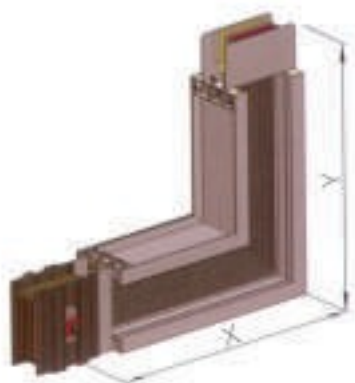
Flat wise elbow



标准长度 Standard length	
cfw-04~63	X/Y=0.4m
可选长度 Optional length	
cfw-04~40	X/Y=0.4m

垂直弯头

Edge wise elbow

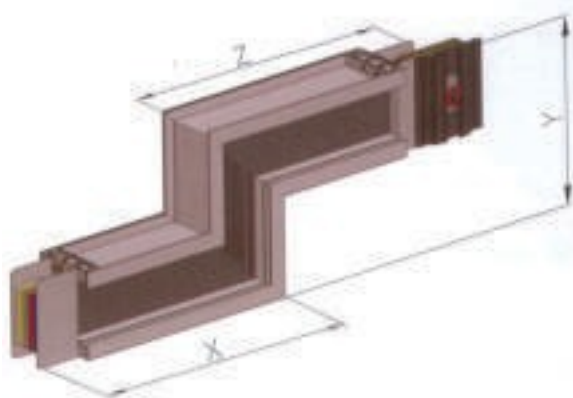


标准长度 Standard length	
CFW-04~12	X=0.40m Y=0.40m
CFW-16~25	X=0.55m Y=0.55m
CFW-32~63	X=1.0m Y=1.0m

标准长度 Standard length	
CFW-04~16	X=0.50m Y=0.50m
CFW-20~40	X=0.85m Y=0.85m

Z垂直弯头

Z Edge wise elbow



标准长度 Standard length	
CFW-04~12	X=0.40m Y=0.45~1.0m Z=0.40m
CFW-16~25	X=0.55m Y=0.70~1.2m Z=0.55m
CFW-32~63	X=1.0m Y=1.20~1.7m Z=1.0m

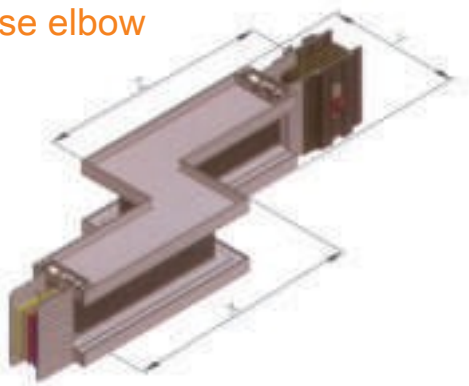
标准长度 Standard length	
CFW-04~16	X=0.50m Y=0.65~1.2m Z=0.50m
CFW-20~40	X=0.85m Y=1.30~1.8m Z=0.85m

功能单元

Fittings

Z型水平弯头

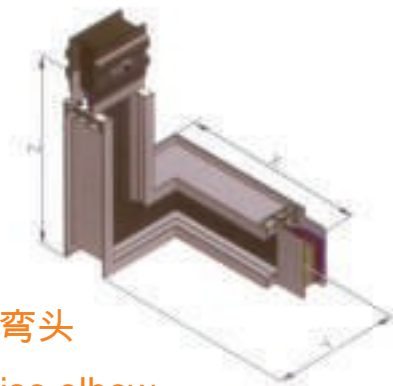
Z Flatwise elbow



标准长度 Standard length	
CFW-04~63	X=0.40m Y=0.4~1.0m Z=0.40m
标准长度 Standard length	
CFW-02~40	X=4.0m Y=0.4~1.0m Z=0.40m

水平垂直组合弯头

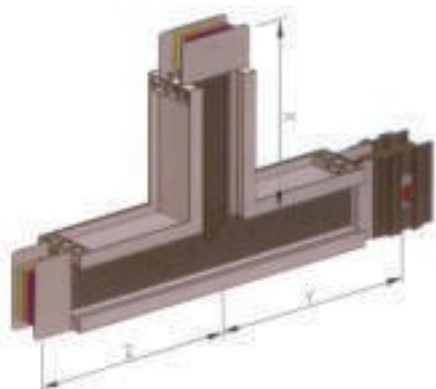
Combination elbow



标准长度 Standard length	
CFW-04~12	X=0.40m Y=0.40m Z=0.40m
CFW-16~25	X=0.40m Y=0.55m Z=0.55m
CFW-32~63	X=0.40m Y=1.0m Z=1.0m

T型垂直弯头

T edgewise elbow



标准长度 Standard length	
CFW-04~12	X=0.40m Y=0.35m Z=0.35m
CFW-16~25	X=0.55m Y=0.40m Z=0.40m
CFW-32~63	X=1.0m Y=0.55m Z=0.55m

标准长度 Standard length	
CFW-04~16	X=0.50m Y=0.40m Z=0.40m
CFW-20~40	X=1.1m Y=0.55m Z=0.55m

与低压柜连接单元

Switchgear connection unit

CFW 母线与低压柜各种柜型均可顺利对接，可根据客户要求及现场低压柜桩头情况进行调整设计，既可顶部出线，也可底部出线，电流最高达6300A，通常使用镀锡铜排进行连接，且进线单元的始端母线配有连接法兰，可与现场低压柜紧密配合，从而保证较高的防护等级。

CFW type bus bar with various low ark Cabinet Can be smoothly doCking, Can also acc ording to customer requirements and adjust design, lowark pile head site Conditions as well as the top line. also can be the bottom line, current up to 6300 a, often use connect tin plated C0pper platoon, and in the beginning of the line unit bus equipped with connecting flange, to work closely with the low pressure tank, thus ensuring a high degree of protection .

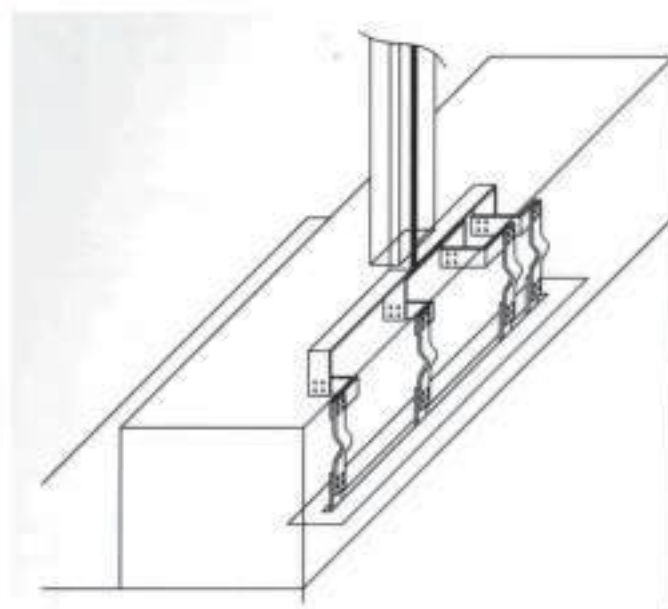


与变压器连接单元

Transformer connection

CFW 母线与不同规格型号的干式变压器、油浸式变压器均可进行可靠连接，最大电流6300A，提供完整的软连接单元，外形美观、安全可靠、能有效避免变压器运行时的震动传递到母线，影响母线的正常运行。

CFW Bus bar with different SpeCific ations of dry type transformer, oilimmersed transformer are reliable connection, the maximum current 6300 a, provide complete soft connection unlt, good appearance, sate and reliable. can effectively avoid the vibration of the transformer running to the bus, affect the normal operation of the bus.



插接箱单元

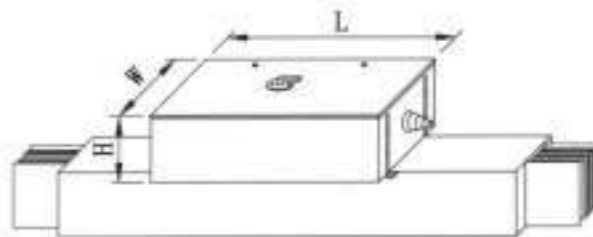
Tap-off unit

母线插接箱单元是将电能从母线槽系统分接到下级配电箱或负载上并且具有输电保护功能的重要装置。该单元结构紧凑、外形美观、性能可靠、规格齐全、可满足不同用户的要求。

Bus unit of connection box is receiving power from the bus duct system into the lower distribution box or load and important device which has the function of power protection. The unit structure is compact, good appearance, reliable performance, Complete specifications, can meet the requirements of different users.

母线插接箱充分考虑客户实际需求，提供内装断路器或熔断器进行保护的多种选择。断路器型号由客户自行选择，包括断路器各种附件，比如操作手柄、分励脱扣器、电动操作等。

Bus bar splicing box fully consider the customer actual demand, to provide protection of circuit breaker or fuse in a variety of choices. Circuit breaker model by the customer to choose, including circuit breaker various accessories, such as handles, shunt tripping device, electric operation, etc.



外形尺寸/Dimension(L*W*H)

电流等级 (A)	插接箱外形尺寸/Dimension		
	L(mm)	W(mm)	H(mm)
$I_e \leq 100$	360	230	220
$100 < I_e \leq 160$	400	250	250
$160 < I_e \leq 250$	500	270	270
$250 < I_e \leq 400$	630	310	310
$400 < I_e \leq 630$	800	340	340
$630 < I_e \leq 1250$	1250	420	350

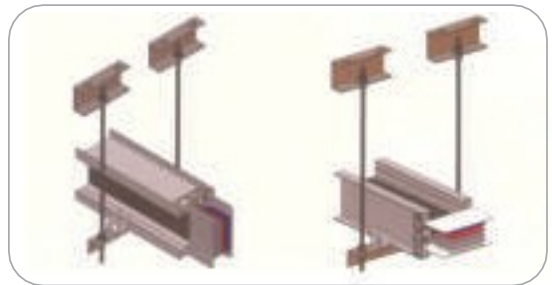
注：表中尺寸是根据国内常规断路器尺寸确定的，具体情况下的插接箱尺寸会根据内部配置有所调整。

Note: The above dimension is based on the size of domestic conventional circuit breaker, The specific tap-off box size will be adjusted according to the internal configuration.

安装方案

Installation method

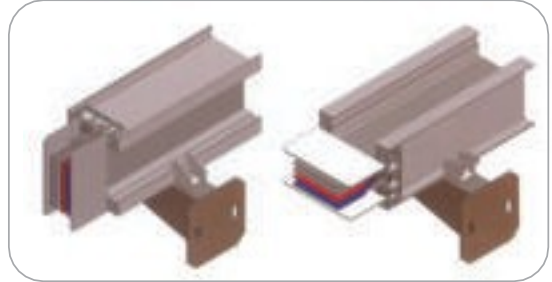
通丝吊装 >>>>>>>>>>>>>>>>>>>
Harness hanger Installation



角钢吊装 >>>>>>>>>>>>>>>>>>>
Angle steel hanger Installation



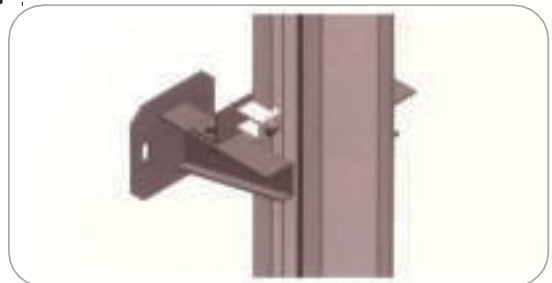
托臂安装 >>>>>>>>>>>>>>>>>>>
Bracket Installation



弹簧支架安装 >>>>>>>>>>>>>>>>>>>
Spring hanger Installation



中间固定支架安装 >>>>>>>>>>>>>>>>>>>
Mid-fixing bracket Installation

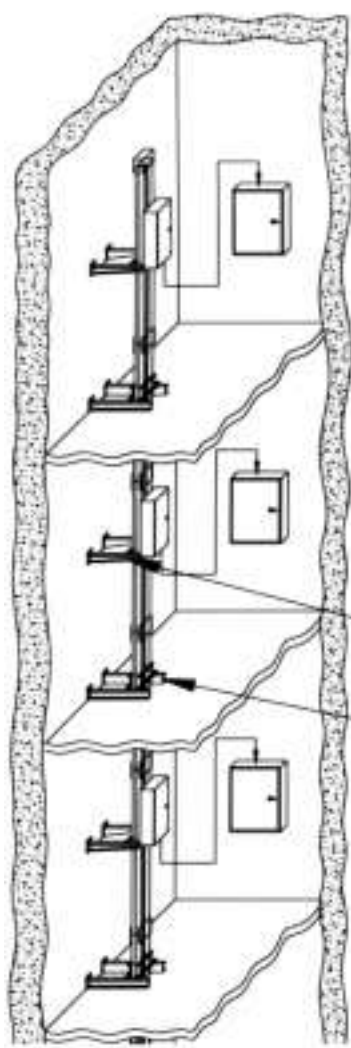


安装方案

Installation method

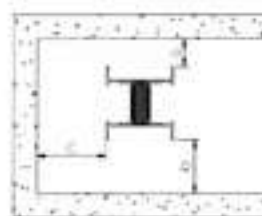
CFW 母线槽垂直安装需要的最小距离

CFW clearance for installation

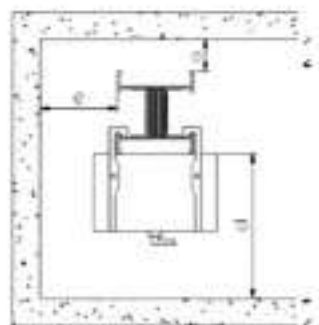


中间固定支架

弹簧支架



不带插接箱
Without TOU



带插接箱
With TOU

电流等级	a/mm	b/mm	c/mm	d/mm	e/mm
250	100	100	100	500	100
400	100	100	100	500	100
630	100	100	100	500	100
800	100	100	100	500	100
1000	100	100	100	500	100
1250	100	100	100	500	100
1600	100	100	100	500	100
2000	100	100	100	500	100
2500	100	100	100	500	100
3200	100	100	100	500	100
4000	100	100	100	500	100
5000	100	100	100	500	100
6300	100	100	100	500	100

额定电流的计算

Calculation of rated current

$$I_B = \frac{P_{inst} \cdot a \cdot b}{\sqrt{3} \cdot U_e \cdot \cos\varphi} \cdot 10^3$$

- I_B = 额定电流 (A) / rated current(A)
- U_e = 额定工作电压 (V) / Rated working voltage (V)
- $\cos\varphi$ = 功率因数 / Power factor
- P_{inst} = 安装功率 / Installed power
- a = 分散系数 / Dispersion coefficient
- b = 馈电系数 / The feed coefficient
($b=1$ 单面馈电; $b=0.5$ 双面馈电或中间馈电单元)
($b=1$ Single feed; $b=0.5$ Double feed or Intermediate feed)

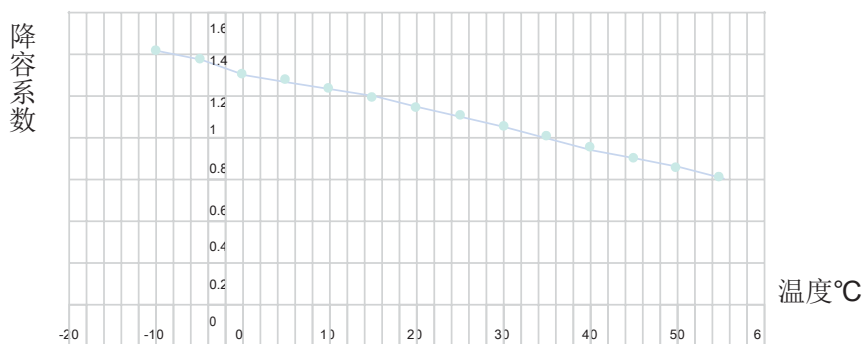
主电路数/Main Circuit	a
2 与3 (2 and 3)	0.9
4 与5 (4 and 5)	0.8
6 至9 (6 to 9)	0.7
10 及以上 (10 and above)	0.6

额定电流 I_e 是基于一定环境温度而言的 (平均温度 35°C)，下表显示了载荷容量是随着环境温度的变化而变化的。

Rated current is based on certain environmental temperature (average temperature 35°C), and the form shows the load capacity changes with the environmental temperature.

降容曲线

Reduction



计算与选型

The calculation and selection

电压降得计算

Calculation of voltage drop

如果母线系统长距离输配电，就必须考虑到电压降对整个供电系统的影响，下面是电压降的具体计算公式：

If the busbar system for long distance transmission and distribution, We must take into account the voltage drop on the power supply system, The following are the specific formula for calculating the voltage drop :

$$\Delta U = a \cdot \sqrt{3} \cdot I_B \cdot L \cdot (R' \cdot \cos\varphi + X' \cdot \sin\varphi) \cdot 10^{-3}$$

ΔU = 电压降 (V) /Voltage drop (V)

I_B = 额定电流 (A) /Rated current (A)

L = 系统总长度 (m) /The total length of the system (m)

a = 载荷分配系数 /The load distribution coefficient

R' = 电阻 (mΩ/m) /Resistance (mΩ/m)

X' = 电抗 (mΩ/m) /Resistance (mΩ/m)

$\cos\varphi$ = 功率因数 /Power factor

载荷分布	解释	系数 a
A → B ↓	A 点供电，B 点插接配电	1
A → B ↓ C ↓ D ↓ E ↓	A 点供电，B C D E 点插接配电	0.5
B ↓ A ↑ C ↓	A 点供电，B C 点插接配电	0.25
B ↓ D ↓ A ↑ E ↓ C ↓	A 点供电，C D E 点插接配电	0.125

载荷分配系数需根据载荷分配的类型而定，左侧的图表反映了额定电流一定的情况下载荷分配的不同方式。

The load distribution coefficient bases on the type of load distribution. The left side chart reflects the different ways of load distribution at the same rated current .

阻抗值（包括电阻、电抗）主要来源于：检测结果、计算结果、模拟系统。LX 各种电流等级的 R' 和 X' 在本样本中均可查到。

The impedance values(including the resistance reactance)mainly comes from: test results、the calculation results、simulation system. The various current rating of R' and X' can be found in this catalogue .

通过整个母线槽系统的回路阻抗，可以根据下面公式估算出系统的一级最小短路电流：

On the basis of the loop impedance of the busbar trunking , the minimum short-circuit current can be calculated out according to the below formula.

$$I_{k_{\min}} = \frac{C \cdot U_n}{\sqrt{3} \cdot Z_k}$$

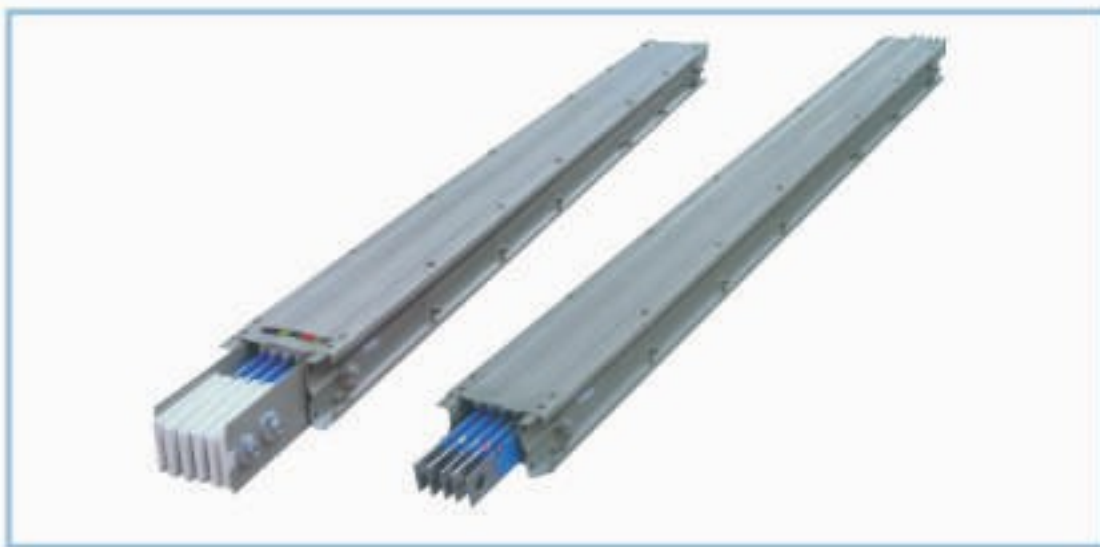
C = 电压系数0.95 / The voltage coefficient

U_n = 相间电压 (V) /The phase to phase voltage

Z_k = 阻抗 (mΩ/m) /Impedance

CFW-KFM

系列空气绝缘母线槽



KFM 系列母线槽适用于交流三相四线、三相五线制，频率50-60Hz，额定电压至660V，额定工作电流250~5000A的供配电系统，承担配电任务，用于低压配电屏与大、中型负载的连接，作为大电流的输电，用于电力变压器与低压配电屏以及重型负载的连接。主要应用于现代化的车间、汽车制造厂、电机制造业的电焊线、工业用电炉、厂房和高层建筑等。

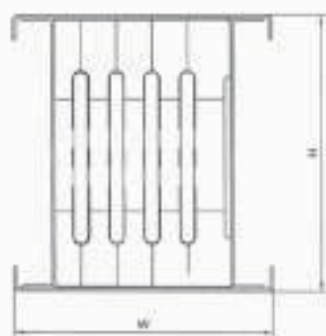
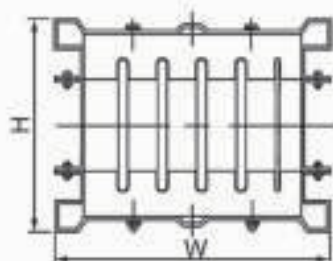
该系列母线槽适合大跨距安装且安装极为方便，结构安全可靠，布线灵活、互换性强。



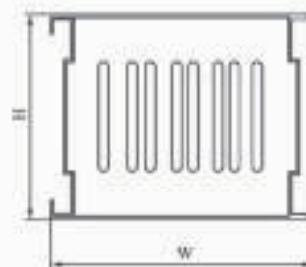
KFM series busbar applies to distribution system of AC 3 phases 4 lines, 3 phases 5 lines, frequency 50-60Hz, rated voltage 660V below, rated current 250-5000A. It is the connecting part between LV distribution board and heavy, medium load.

It is the connecting part between transformer and LV distribution board and heavy board. It mainly applies to modern workshop, auto manufactory, the welding cable for electrical manufacture, electric cooker used in industry, factory building and high building.

This busbar suit for long span installation, convenience installation, extremely safety reliable, flexible to arrange line, compatibility.

五线制
5 lines

250A-1000A



1250A-5000A

三相四(五)线制
3 phases 4(5) lines

符合标准 Applicable standard		IEC60439-1-2, GB7251.1-2, JB/T8511											
额定电流 Rated current Ie (A)		250	400	630	800	1000	1250	1600	2000	2500	3150	4000	5000
额定工作电压 Rated working voltage Ue (V)		380 (400)											
额定绝缘电压 Rated insulation voltage Ue (V)		660 (690)											
额定频率 Rated frequency (Hz)		50 (60)											
额定短时耐受电流 Rated short time with stand current Ie (kA)		30			50			100					
过电压类别 / 污染等级 Over voltage category / dirtiness degrees		III / 3											
防护等级 Protection grade		IP40											
外形尺寸 Dimension W × H	三相四线制 3 phase 4 lines	180 × 102	180 × 112	180 × 122	180 × 132	180 × 152	180 × 182	180 × 222	180 × 252	210 × 254	210 × 304	195 × 300	195 × 370
	三相五线制 3 phase 5 lines	185 × 102	185 × 112	185 × 122	185 × 132	185 × 152	185 × 182	185 × 222	185 × 252	216 × 254	216 × 304	200 × 300	200 × 370
重量 Weight kg/m	三相四线制 3 phase 4 lines	21	23	24	26	31	40	51	56	65	101	129	168
	三相五线制 3 phase 5 lines	23	26	27	29	35	44	57	64	73	109	152	181
在50Hz和35℃环境温度时，相对中性线阻抗 When frequency is 50Hz and the temperature is 35℃, the impedance relatively to neutral line													
电阻 Resistance R (mΩ/m)		0.118	0.099	0.065	0.048	0.036	0.030	0.024	0.020	0.017	0.012	0.008	0.0074
电抗 Reactance X (mΩ/m)		0.086	0.083	0.067	0.058	0.045	0.028	0.035	0.028	0.022	0.041	0.030	0.028
阻抗 Impedance Z (mΩ/m)		0.146	0.129	0.093	0.074	0.057	0.041	0.042	0.034	0.028	0.043	0.031	0.030
介电强度 Media Strength		交流工频电压 I 有效值 13750V 1min AC Frequency Voltage: 3750V 1min											
绝缘电阻 Insulation Resistance		相与相及外壳之间不小于20MΩ Between Phase and phase and enclosure >20MΩ											

CFW-BGFM

系列共箱封闭母线槽



高压大电流设备的理想选择

It is the ideal chose of HV large current

BGFM三相共箱封闭母线系统外壳采用铝合金或弱磁钢板(不锈钢)制造,内部导体为矩形、槽形母排(铜或铝),系统额定电流可达6300A,额定工作电压达35kV。该系统可广泛应用于发电机出线与变压器之间或变压器与高压配电柜之间的电流传输,也可应用于发电机交、直流励磁回路,变电所所用电引入或其它工业、民用设施的电源引线。

The frame of BGFM three phase in common enclosure busbar is aluminum alloy or weak magnetic steel plate (stainless steel), inner shape conductor is rectangle, channel type(copper or ally), system current can up to6300A, rated working current up to 35KV. It is widely used between outgoing of power and transformer or between transformer and HV switchgear to transmission current, it can also used in DC or AC field circuit of power, it can be used as power lead wire of electric substation or other industry, domestic facilities.

安全可靠

Safety and reliable

母线导体选用优质高强度大爬距绝缘子支撑,使系统具有较高的抗短路电动性能,合理的绝缘子支撑间距的设置,充分避免了系统共振的危险,全连续外壳并多点接地方式杜绝了人身触电危险。

Support bus bar conductor is high-grade high strength large span insulator porcelain, it can make the system has good ability of prevent short circuit, and the installation support distance of insulator porcelain avoid the danger of system resonance, all over continuative frame and multiple earthing point prevent people contact power.



BGXM不隔相共箱封闭母线
BGXM nonsegregated phase
common enclosure bus



GGXM隔相共箱封闭母线
GGXM segregated phase
common enclosure bus

温升高 Lower temperature rise

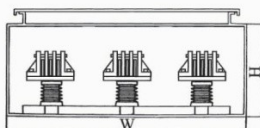
母线外壳采用铝合金或弱磁材料可避免感应涡流发热，降低其温升，同时提高了散热性能，导体接头表面采用镀锡或镀银处理，降低了接触电阻，使导体接头处拥有较小的温升，提高了导电性能。

The frame of bus bar is aluminum alloy or weak magnetic material can prevent induction eddy current heat, lowering temperature rises, and improves abstract heat ability, conductor connection face is covered with silver, it can lowering contact resistance, make the connection point has litter temperature rise, improve conducting power.

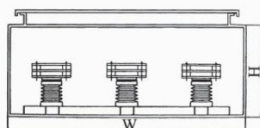
防护等级高，运行维护方便 High protection degrees, easy operation and maintain

母线外壳防护等级达IP54，可消除外界潮气、灰尘及外物引起的接地故障。在系统两端或重要部位可设置观察窗、温度警示标记、或测温远程监控装置等，运行维护方便。

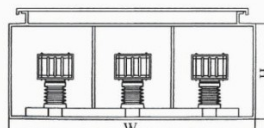
Protection degrees of the frame up to IP54, it cans elimination outside moisture, dust and earthing trouble because of outside objects. Watching window, temperature remind lap or long distance supervisory control device of temperature test and so on to the two point of system or important area.



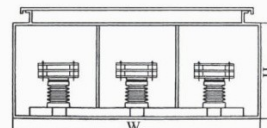
I 型



II 型



III 型

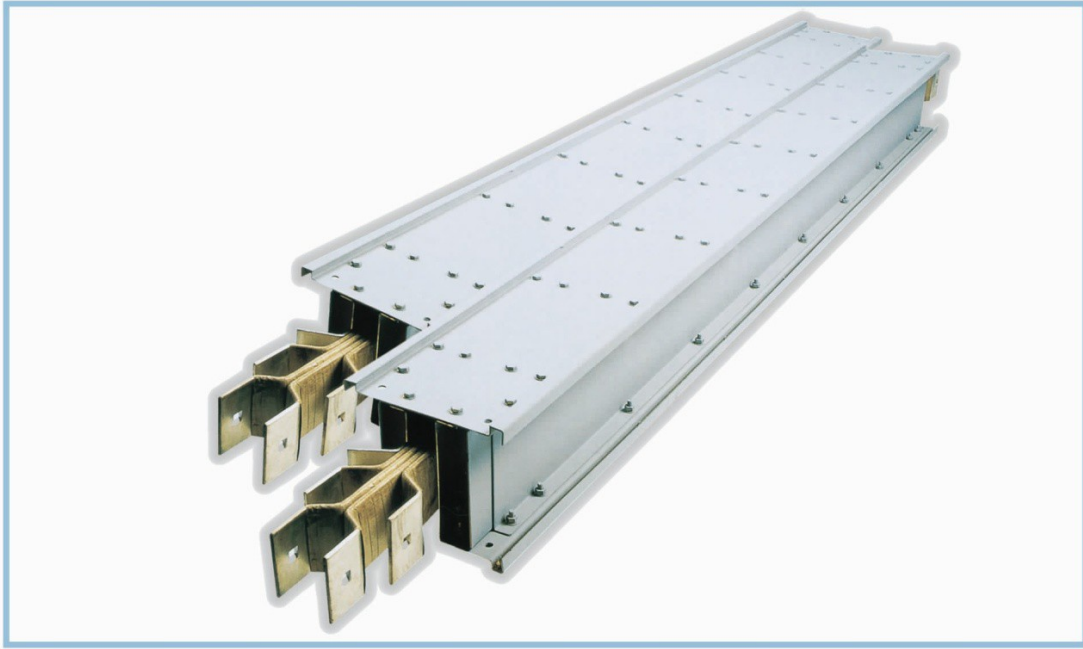


IV 型

符合标准 Applicable standard		IEC364-5-54, GB/T8349, JB/T9639						
环境温度 Enviroment temperature	°C	-40 ~ +40						
相对湿度 Relatine humidity		日平均值不大于95%，月平均值不大于90% Daily the average is not above 95%, monthly the average is not above 90%						
防护等级 Pretendable grade		IP40, IP54						
额定电压 Rated voltage	kV	3.15	6.3	10.5	35			
最高工作电压 Best work voltage	kV	3.45	6.9	11.5	40.5			
绝缘等级 Isolated grade	kV	18/40	23/60	37/75	80/185			
额定频率 Rated frequency (Hz)	Hz	50(60)						
额定工作电流 Rated work electric current	A	外形尺寸 (W×H) (mm×mm) Contour size						
1000~3000	A	I 750×400 II 850×350	III 800×500 IV 1000×440	I 900×560 II 1060×460	III 1200×560 IV 1400×500	I 900×560 II 1060×460	III 1200×560 IV 1400×560	I 1500×920 II 1800×880
3500~4000	A	I 750×440 II 850×480	III 800×500 IV 1000×440	I 900×560 II 1060×460	III 1200×560 IV 1400×500	I 900×560 II 1060×460	III 1200×560 IV 1400×560	
4500	A	I 750×440 II 850×480	III 800×500 IV 1000×440	I 900×560 II 1060×460	III 1200×560 IV 1400×500	I 900×560 II 1060×460	III 1200×560 IV 1400×560	
5000	A	I 1400×600		I 1600×700		I 1600×700		
6300	A	I 1400×600		I 1600×700		I 1600×700		

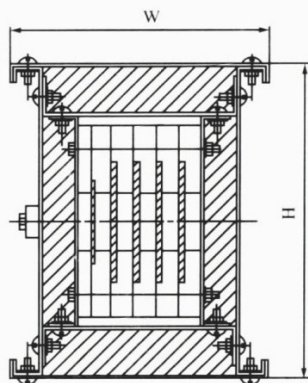
CFW-NHMC

系列耐火型母线槽



NHMC 系列耐火型母线槽是我公司结合密集型母线槽的结构特点,采用防火隔热、阻燃材料自行研制的产品。具有结构紧凑、体积小、耐高温、防火、传输容量大等优点。主要应用一坑层建造、重要的控制中心,地铁等人流量大的公共场所和其经防火要求罗高的场所。使用该产品能保证在发生火灾时维持一段时间的供电,并有足够的时间启动灭火设备、排烟通风、排烟该产品能保证在发生火灾时维持一段时间的供电,并有足够的时间启动灭火设备、排烟通风、疏散人员,尽可能地减少人员伤亡和财产损失。

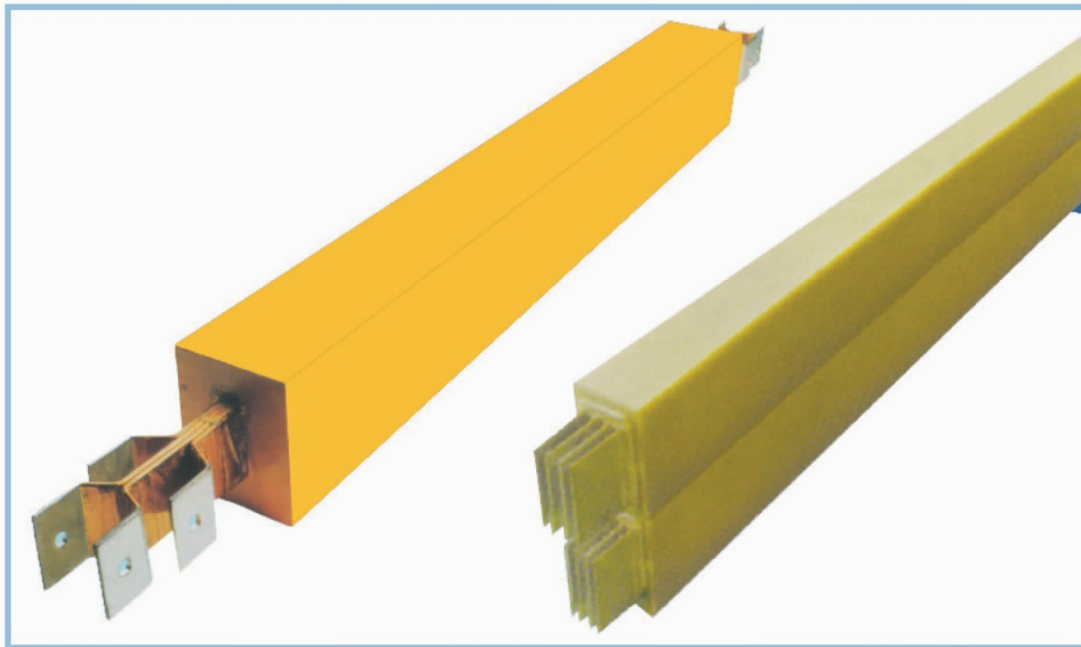
NHMC series fire bearing busbar used fire prevension and heat isolation, to make by themselves.Such roducts have many characteries,such compact structure,small volume,high temperature resistance,fire prevension.It is mainly used in public and other place fire prevension high tequired shere pepole are in large flowing.Using such products com keep electricity supplying for one section time,it has enough time to start uisher which put out fire,smoke displacing and air ventilating,people scattering .It can nednce people injured and fortune damaged.



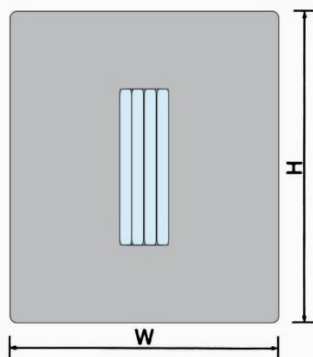
符合标准 Applicable standard	IEC60439-1~2、GB7251.1~2、JISC8364、GB9978、JB/T10327										
额定电流 Rated current Ie(A)	250	400	630	800	1000	1250	1600	2000	2500	3150	
额定工作电压 Rated working voltage Ue(V)	380(400)										
额定绝缘电压 Rated insulation Voltage Ue(V)	660(690)										
额定频率 Rated frequency(Hz)	50(60)										
额定短时耐受电流 Rated short time with stand current Ie (kA)	30							65			
过电压类别 / 污染等级 Over voltage category / dirtiness degrees	III/3										
防护等级 Protection grade	IP66										
外形尺寸 Dimension W×H	三相四线制 3phase 4 lines	240×180	240×190	243×200	243×210	243×220	243×250	256×258	256×278	272×308	272×338
	三相五线制 3phase 5 lines	261×180	261×190	261×200	261×210	261×220	261×250	280×258	280×278	298×308	298×338
重量 Weight kgf/m	三相四线制 3phase 4 lines	40.71	42.23	49.15	50.26	55.09	58.28	71.24	82.91	95.76	134.26
	三相五线制 3phase 5 lines	44.61	46.58	52.45	54.27	59.63	65.54	79.37	91.72	106.04	145.43
介电强度 Media Strength	交流工频电压(有效值)2500V 1min AC Frequency Voltage:2500V 1min										
绝缘电阻 Insulation Resistance	相与相及外壳之间不小于 20MΩ Between Phase and phase and enclosure ≥ 20MΩ										

CFW-CGMC

系列全封闭防水母线槽



- 外壳采用不饱和聚脂树脂加石棉粉等无机材料整体浇铸而成
 - 树脂中添加光稳定剂和阻燃剂,提高了母线的抗老化性能和阻燃性能
 - 树脂外壳可长期用于户外及有腐蚀性气体环境中,也可加制金属外壳更能延长使用寿命
 - 母线系统一经安装使用后,无须维护保养
 - 母线防护等级为 IP68
 - 母线铜排采用聚烯亚胺(黄金带)增加绝缘,绝缘等级为 H 级
-
- Enclosure is made of unsaturated polyester resin and asbestos powder etc which is cast
 - Add light stabilizer and burn check, rise the anti-ageing and anti-combustibility
 - The enclosure can be used outdoors and in aggressive gas environment, can also be enclosed in metallic cover in order to make the service life longer
 - Once the busbar trunking system is mounted and used,it is maintenance-free
 - Degree of protection is IP68
 - The CU busbar is insulated with polyimide,it's insulating degree is H


母线槽结构及尺寸表 The Table of Busbar Trunking System Structures and Sizes

外形尺寸 Dimension	W×H	128×118	128×118	128×118	128×148	128×148	128×188	128×188	
额定电流 Rated current	A	250	400	630	800	1000	1250	1600	
额定电压 Rated voltage	V	750	750	750	750	750	750	750	
阻抗 Z Imedance	mΩ/m	0.1341	0.1085	0.0897	0.0699	0.0569	0.0412	0.0323	
电阻 R Resistance	mΩ/m	0.1306	0.105	0.0856	0.0669	0.0549	0.0388	0.0299	
电抗 X Reactance	mΩ/m	0.0305	0.0273	0.0269	0.0205	0.0152	0.0139	0.0123	
电压降 Voltage Drop	cos Φ=0.7	mv/(A×m)	0.1961	0.1611	0.1371	0.1064	0.0854	0.0642	0.0515
	cos Φ=0.8		0.2127	0.1739	0.1466	0.1182	0.0919	0.0682	0.0542
	cos Φ=0.9		0.2267	0.1843	0.1538	0.1198	0.1971	0.071	0.0559
	cos Φ=1		0.2262	0.1819	0.1483	0.1159	0.1951	0.0672	0.0518
母线重量 Weight of busbar	kg/m	26.25	28.5	31.2	24.5	44.4	59.55	69.15	

外形尺寸 Dimension	W×H	128×238	128×258	328×188	328×238	328×258	528×238	528×258	
额定电流 Rated current	A	2000	2500	3200	4000	5000	6300	7500	
额定电压 Rated voltage	V	750	750	750	750	750	750	750	
阻抗 Z Imedance	mΩ/m	0.0243	0.021	0.0161	0.0122	0.0105	0.0081	0.007	
电阻 R Resistance	mΩ/m	0.0222	0.0193	0.0149	0.0111	0.0096	0.0073	0.0064	
电抗 X Reactance	mΩ/m	0.01	0.0084	0.0062	0.005	0.0042	0.034	0.0028	
电压降 Voltage Drop	cos Φ=0.7	mv/(A×m)	0.0393	0.0338	0.0258	0.0196	0.0168	0.0131	0.0112
	cos Φ=0.8		0.0412	0.0355	0.0271	0.0206	0.0177	0.0137	0.0118
	cos Φ=0.9		0.0422	0.0364	0.028	0.0211	0.0182	0.014	0.0121
	cos Φ=1		0.0365	0.0334	0.0258	0.0192	0.0167	0.0126	0.0111
母线重量 Weight of busbar	kg/m	90.9	101.85	138.3	181.8	203.7	272.7	305.55	

CFW-ZM

系列照明母线槽



ZM 型照明母线系统额定工作电流为 25A~125A,该系统特别适用于大开间场所的照明供电,如:大型商场、超市、展览厅、车站、机场、办公楼、工业厂房等。该系统提供的防护等级为 IP54,能在比较潮湿或较多粉尘的环境中使用。

The rated working current of ZM type lighting busbar system is 25A~125A ,it is used in lighting of big house,such as :big emporium,supermarket,espositon hall,station,sirport,office building, factor house and so on.The system's protecting grade is IP54 ,it can work in the environments of most moisture of lots of fragment.

可靠的流线化设计

Reliable streamline design

ZM 型照明母线外形美观、结构紧凑,单元间连接采用专用连接器。插接口分布均匀,用户可就近取电。系统配置齐全,配置有专用吊架及灯具吊架等,可满足各种类型灯具的吊装。

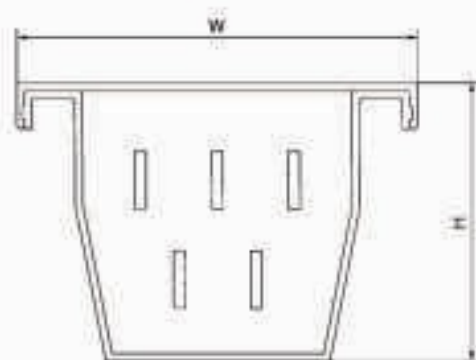
ZM type lighting usbar has beautiful appearance、impact structure,between unit it use special connector to connect .Uniformity socket,user can use ower as near as possible .It has fully system,and has special hanger and lamp hanger and so on,they can meet with all kinds of type lighting fixture.

插接可靠、安装快捷

Reliable socket, faster installation

ZM 型照母线设有电流分接插头装置,可有效保证插接可靠性,专用连接器使安装过程简单、快捷,不需专用工具。

Current tap joint of ZM type lighting busbar has pin device,it can make socket reliably,and special connection can make the installation process easy and faster, not use special device.



ZM三相四(五)线制
ZM 3 phases 4(5) lines

主要电气技术参数

Main electrical technical references

符合标准 Conform to Standard	IEC60439-1-2, GB7251.1-2					
额定工作电压 Rated working voltage U_e (V)	380 (400)					
额定绝缘电压 Rated insulation voltage U_e (V)	660 (690)					
额定频率 Rated frequency (Hz)	50 (60)					
过电压类别 / 污染等级 Over voltage category / dirtiness degrees	III / 3					
防护等级 Protecting Grade	IP54					
额定工作电流 Rated Current	A	25	40	63	100	125
额定短时耐受电流 Rated short time with stand current	kA	6				
温升 Temperature Rise	K	连接端子60K, 金属外壳30K Connecting Terminal 60K, Metal Enclosure 30K				
介电强度 Media Strength	交流工频电压(有效值)2500V 1min AC Frequency Voltage 2500V 1min					
绝缘电阻 Insulation Resistance	相与相及外壳之间不小于20M Ω Between Phase and enclosure $\geq 20M\Omega$					
外形尺寸 W × H Dimension	三相四(五)线制 3 phases 4(5) lines	105 × 73				
重量 (kg/m) Weight	三相四线制 3 phases 4 lines	2.14	2.36	2.58	2.78	3.1
	三相五线制 3 phases 5 lines	2.3	2.57	2.83	3.1	3.5
在50Hz和35℃环境温度时, 相对中性线阻抗 When frequency is 50Hz and the temperature is 35℃, the impedance relatively to neutral line						
电阻 Resistance R (m Ω /m)		1.01	0.92	0.88	0.66	0.5
电抗 Reactance X (m Ω /m)		0.25	0.23	0.21	0.19	0.14
阻抗 Impedance Z (m Ω /m)		1.04	0.95	0.905	0.69	0.52

服务体系

Service system



前期考察 Factory Vist

用户可以派员到我公司进行考察，以确定产品的型号，我公司为此提供一切便利。

In order to ensure the demanded busway type, customers can visit our factory at anytime. We are pleased to do all the arrangement .



技术咨询 Technical Consultant

为用户的选型提供一切服务，并且详细介绍每一种产品的特点，为用户提供最满意的产品是我们的服务宗旨。

We will proride technical consultant service including detailed system introduction . To provide the most satisfied product is our service guideline!



技术交底 Technical Clarification

在达成最终购买协议前，我公司会对用户所选产品进行更加详细的技术说明，使用户对产品的特点及技术参数

Before the final agreement is achieved a detailed technical description of the chosed product will be done to make the feature and technical parameter clearer



培训服务 Training Service

我们将为您提供母线产品的技术培训，以了解产品的技术特点和优势，我们也为您提供母线安装技术培训，以掌握母线槽的安装方法，同时，我们也为您的运维人员提供母线运行技术培训，以掌握母线的运行维护规则和紧急故障处理方法。

We will provide professional training to explain the product features and advantages , including installation procedure and method . Meanwhile . busbar operation and maintenance training is available to present the operation and maintenance regulation and faults disposal .

服务体系

Service system



监督生产Production Supervise

达成购买协议后，用户可以派员来我公司进行监督生产和检测，在设备生产完毕阶段，通知用户来工厂验货。

After the final agreement has been achieved, customers can supervise and test the ordered product. Once the production comes to an end, customers will be informed to inspect products at workshop.

现场服务Service on site

安装期间，我公司会派员常驻项目工地提供安装指导，并且在安装结束后进行现场通电调试。

During the installation, technical engineers will conduct installation instruction on the project site and also commission after electrified.

产品维护Product Maintenance

我们能提供完善的维护服务，由售后服务中心派遣由经验的技术人员进行维护工作。

Perfect repair service is available by sending out experienced engineers when requested.

回应需求Complaint Response

当您咨询有关我们产品及服务时，需要您将有关需求告知我们，我们将在两个小时内给您一个满意的答复。

Any complains about our products and service from customer are supposed to be responded within 2 hours.

安全警告

母线槽系统属于低压成套电气设备，请严格按照低压电气操作规范执行
母线槽在安装前中后，都应防止水、盐、混凝土等其它杂物的侵入和腐蚀
在没有完全安装结束前，户外设备不具备防风雨的能力，应采取防雨及防暴晒措施禁止坐、站立或在设备上行走

装卸

全过程防止潮湿、雨淋、化学物质的侵入
小心装卸，避免母线槽扭曲、碰撞和重压
装卸时，必须在中心起吊，不可在地上或槽体之间拖拉
装卸工具建议使用叉车较为方便

储存

防止灰尘和液体侵入，并远离通道
不要储存于室外，避免阳光暴晒
母线槽应堆放在等高的木块上并且隔开，最多不超过5层
安装前不要将包装全部拆除

使用

检查母线槽系统的相序，应该正确一致
确认母线槽系统不受液体、固体的侵入
保证母线槽的支架安装稳固、螺栓连接可靠 测量母线槽系统的绝缘电阻，不得低于0.4 MΩ 母线槽开始送电时，不得带负载
检查总的负载电流不得超过主母线电流或设计电流

维护

必须切断母线槽电源，才能进行维护保养工作
使用三个月后应停电检查螺栓紧固情况，每年全面检查
出现异常情况请立即断电检查，确定情况后再做处理
必须消除影响母线槽正常运行的不利因素，如滴水、粉尘、热源等

注意事项

Notes

Warning

1. Busway system belongs to low voltage whole-set electrical equipment, please handle it Per the instruction of electrical oPeratlonsPectlcatlon
2. After the bus duct before installation. should be to prevent water - salt, concrete and other debris intrusion and corrosion
3. Without complete before the end of the installation, outdoor equipment not weatherproof ability, rain and sun prevention measures should be taken
4. sit, stand or walk on the busway is strictly forbidden

Loading

1. Avoid moisture, rain or chemical substance
2. While loading, avoid stress on the busway or collision
3. When lifting the busway, make sure the busway weight is distribute and balanced; Never drag busway on the ground
4. Use a forklift to handle the busway

Storage

1. Avoid dust and liquid, away from the aisle
2. Never put it outdoor, avoid direct sun exposure
3. Busway should stack on the wood block and keep apart; no more than five plces should be stack on the top of each other
4. Do not remove the whole packing material before installation

Usage

1. Check the phase sequence of busway
2. Make sure the busway is protected from dust and liquid
3. Ensure the steady of fixing brackets and reliable connection of bolts
4. While energizing the busway. all the tapping devices should be in off position
5. All 10ad currents should no more than rated current of busway

Maintenance

1. Power should be cut off before maintaining the busway system
2. Check the tightness of bolt after first use of 3 months, and then check it annually
3. Cutoff power if any abnormal condition occurs, and then find out the reason and take measures
4. Keep the system away from the adverse factor, such as water, powder, and heat source.



化妙

;



诚信务实
交流互助
敬业责任
学习创新
客户第一



诚信务实 · 品质至上

